

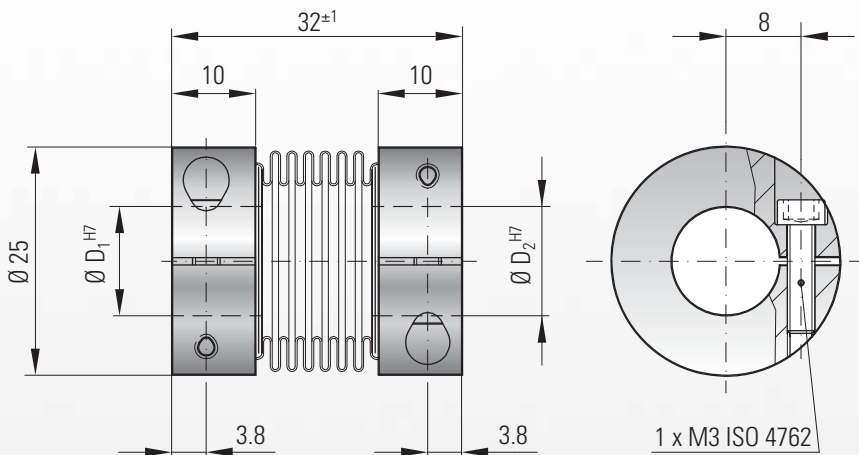
Optional:



low cost

# MODEL BKL 003

## TECHNICAL SPECIFICATIONS



ECOFLEX®

### Features:

- low cost
- backlash free and torsionally rigid
- compensates for 3 types of misalignment
- wear free and robust

### Material:

Bellows made from highly flexible, high grade stainless steel; clamping hubs made from high strength aluminum

### Design:

With a single ISO 4762 radial clamping screw per hub

### Temperature range:

-40 to +200° C (-40 to +392° F)

### Speeds:

Up to 10,000 rpm; in excess of 10,000 rpm with finely balanced version

### Service life:

Maintenance free with infinite life when operated within the technical specifications

### Fit tolerance:

Overall clearance between hub and shaft  
0.01-0.05 mm

**ECOFLEX®:** The cost effective option for encoders, potentiometers, stepper motors and small servo motors.

### Ordering example

BKL/ 003 / 3 / 5 / XX

Model  
Series  
Bore Ø D1 H7  
Bore Ø D2 H7  
Non standard e.g. anodized

Model BKL 003		Series	
		3	
Rated torque (Nm)	$T_{KN}$	3	
Standard bore diameters H7 (mm)	$D_1, D_2$	3 / 4 / 4.76 / 5 / 6 / 6.35 / 7 / 8 / 9 / 9.53 / 10 / 11 / 12 / 12.7	
Moment of inertia (gcm <sup>2</sup> )	$J_{total}$	20	
Approximate weight (g)		23	
Tightening torque of the fastening screws (Nm)		2.3	
Torsional stiffness (Nm/rad)	$C_T$	994	
Axial	± (mm)	1	
Lateral	± (mm)	0.2	
Angular	± (degree)	2	

1 Nm = 8.85 in lbs